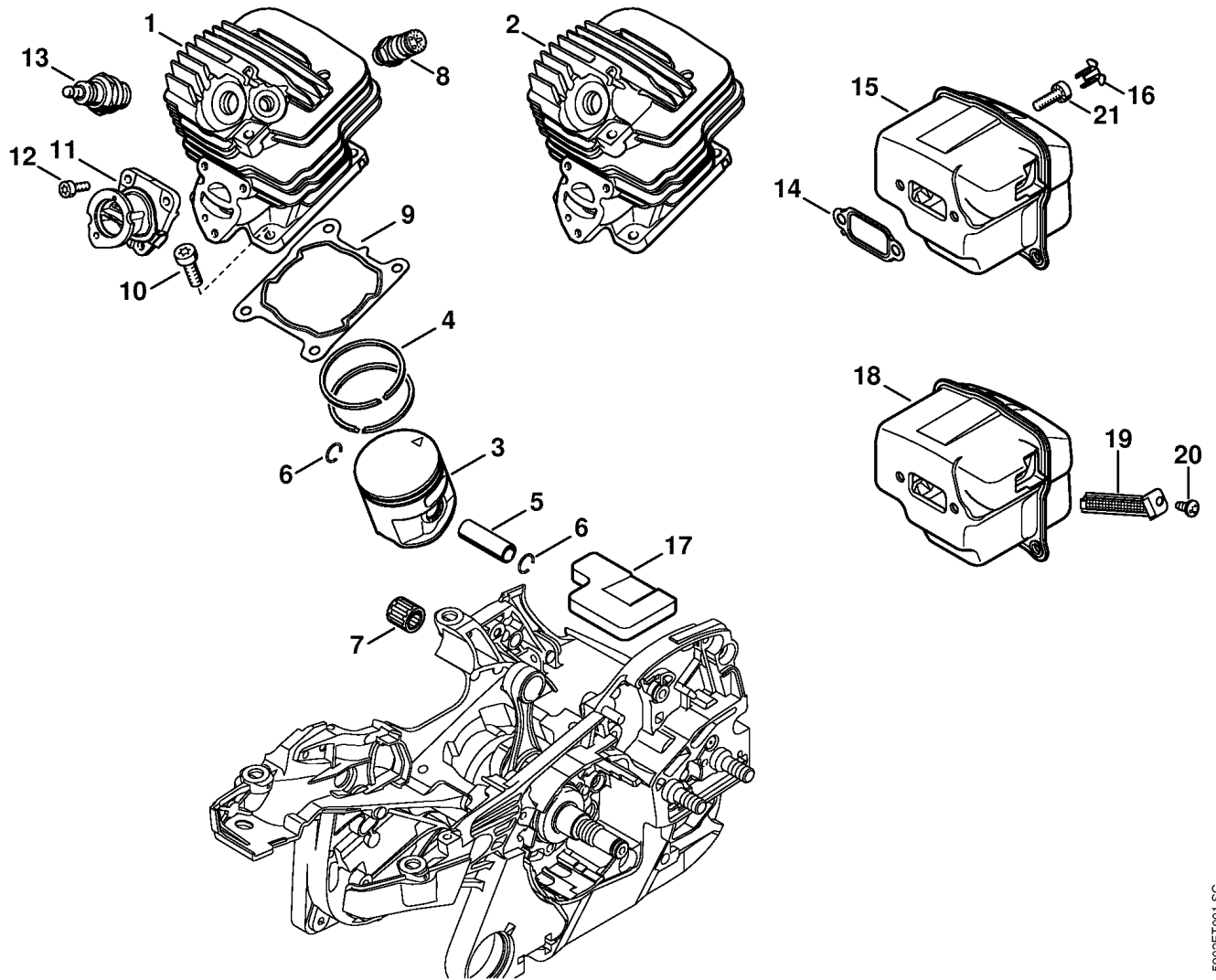


5902ET000 SC

Reference	Item number	Qty	Description
1	1141 020 2612	1	Crankcase, fan side ‡ 2 - 7
2	9503 003 0322	1	Grooved ball bearing 15x32x8
3	9640 003 1560	1	Oil seal 15x22x4
4	0000 988 8600	2	Sleeve
5	9371 470 1058	3	Cylindrical pin 1,8x19
6	0000 963 0902	3	Bushing
7	1141 791 5902	1	Stop buffer
8	1141 020 2910	1	Crankcase (1-4) ‡ 5, 6, 11, 12, 15, 16, 18 - 21, 23
9	1141 020 2912	1	Crankcase (5) ‡ 5, 6, 11, 12, 15, 16, 18 - 21, 24
10	1141 020 2914	1	Crankcase (6,7) ‡ 5, 6, 11, 12, 15 - 20, 22, 23
11	9523 003 4262	1	Grooved ball bearing 15x35x13
12	9640 003 1600	1	Oil seal 15x29.6x4
13	1138 791 5903	1	Stop buffer (1,3,5,6)
14	1140 791 5901	1	Stop buffer (2,4,7)
15	1128 640 9100	1	Valve
16	0000 974 1200	1	Notched pin 2.6x8
17	0000 974 1200	1	Notched pin 2.6x8 (6,7)
18	1120 162 5200	1	Pin
19	1121 162 5205	1	Pin
20	1121 162 5200	1	Pin
21	1121 162 5200	1	Pin (1-5)
22	1125 162 5209	1	Pin (6,7)
23	0000 664 2406	2	Collar screw M8 (1-4,6,7)
24	0000 664 2405	1	Collar screw M8 (5)
25	1141 647 9400	1	Hose
26	1117 640 3800	1	Pickup body
27	1141 029 0500	1	Gasket
28	1141 030 0400	1	Crankshaft (25.2005)
29	9468 621 1520	1	Circlip 15x1
30	9022 371 1050	5	Spline screw IS-M5x25
31	0000 350 0526	1	Filler cap ‡ 32
32	9645 948 2470	1	OÜring 23x3
33	1141 656 7700	1	Chain catcher
34	9074 477 4438	1	Pan head self-tapping screw IS-P6x30
	1141 007 1000	1	Set of gaskets (B) ‡ 3, 12, 27

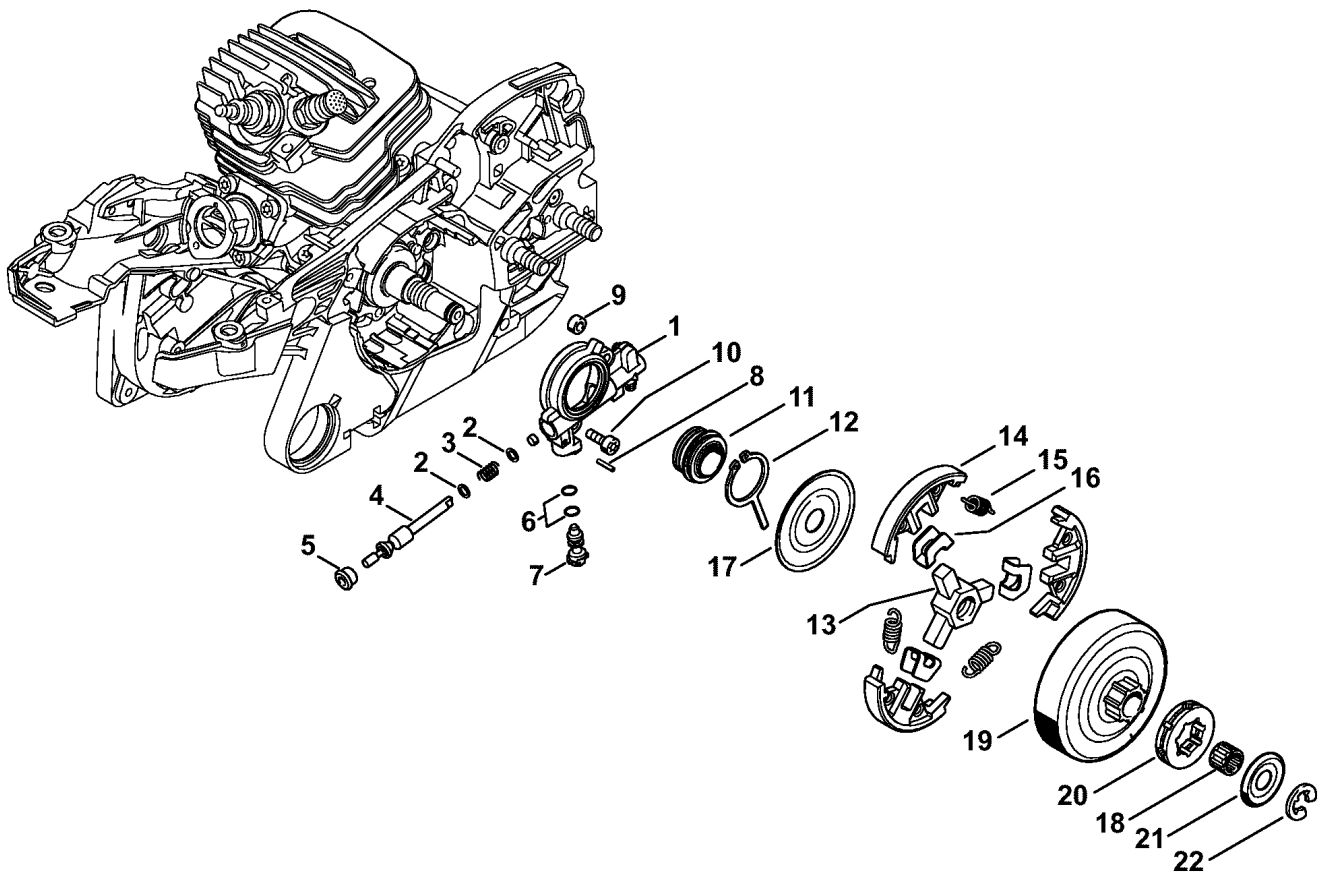
(1)İMSİ261, (2)İMSİ261-Z, (3)İMSİ261-VW, (4)İMSİ261-VWZ, (5)İMSİ261İC-BE, (6)İMSİ261İC-Q,  
(7)İMSİ261İC-QİZ



5902ET001 SC

Reference	Item number	Qty	Description
1	1141 020 1200	1	Cylinder with piston $\phi$ 44.7 mm (1-4,6,7) † 3 - 6
2	1141 020 1202	1	Cylinder with piston $\phi$ 44.7 mm (5) † 3 - 6
3	1141 030 2012	1	Piston $\phi$ 44.7 mm † 4 - 6
4	1141 034 3000	2	Piston ring $\phi$ 44.7x1.2 mm
5	1141 034 1502	1	Piston pin 10x6x32
6	9463 650 1000	2	Snap ring 10
7	9512 003 2330	1	Needle cage 10x14x13.5
8	1141 020 9400	1	Decompression valve (1-4,6,7)
9	1141 029 2302	1	Cylinder gasket
10	9022 371 1020	4	Spline screw IS-M5x20
11	1141 140 2500	1	Manifold
12	9022 313 0660	3	Spline screw IS-M4x12
13	0000 400 7000	1	Spark plug NGK BPMR7A
14	1141 149 0600	1	Muffler gasket
15	1141 140 0610	1	Muffler (1,3,5,6) † 16
16	1141 145 9002	2	Plug
17	1141 146 9000	1	Insulating pad (1,3,5,6)
18	1141 140 0612	1	Muffler (2,4,7) USDA ĀCert. Āl. D. Ā1141/02 USA † 16, 19, 20
19	1141 140 8100	1	spark arresting screen (2,4,7) USA
20	9039 475 0656	1	Self-tapping screw M4x9.6 (2,4,7) USA
21	9022 341 0983	4	Spline screw IS-M5x16
	1141 007 1000		Set of gaskets (B) † 9, 14

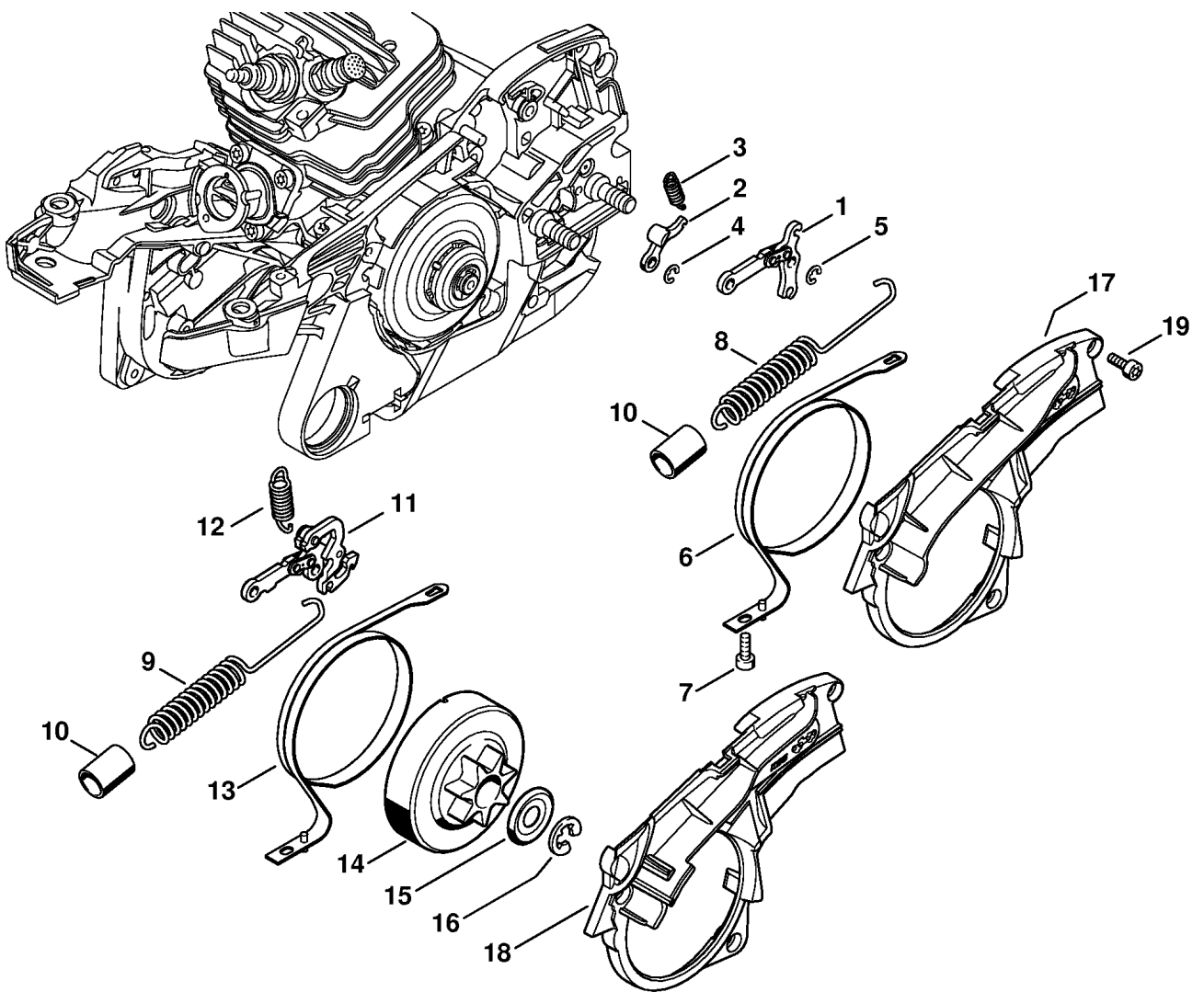
(1) ĀMS Ā261, (2) ĀMS Ā261-Z, (3) ĀMS Ā261-VW, (4) ĀMS Ā261-VWZ, (5) ĀMS Ā261 ĀC-BE, (6) ĀMS Ā261 ĀC-Q,  
(7) ĀMS Ā261 ĀC-QĀZ



5902ET002.SC

Reference	Item number	Qty	Description
1	1141 640 3200	1	Oil pump † 2İÜ8
2	0000 958 0408	2	Washer
3	0000 997 2002	1	Compression spring
4	1121 647 0603	1	Pump piston
5	1121 641 9400	1	Bearing bushing
6	9646 945 0160	2	O-ring 4x2
7	1128 647 4806	1	Control bolt
8	9380 620 1090	1	Roll pin 2x10
9	1122 649 5000	1	Sealing ring B4x2
10	9022 313 0660	2	Spline screw IS-M4x12
11	1121 640 7111	1	Worm † 12
12	1121 647 3100	1	Carrier
	1121 160 2051	1	Clutch † 13İ-İ17
13	1121 162 3201	1	Carrier
14	1121 162 0802	3	Clutch shoe
15	0000 997 5600	3	Tension spring
16	1127 162 3000	3	Retainer
17	1121 162 1001	1	Cover washer
18	9512 933 2260	1	Needle cage 10x13x10
	1141 007 1002	1	Rim sprocket kit 0.325" 7T (1-5) † 19İ-İ22
19		1	Clutch drum (D) (1-5)
20	0000 642 1236	1	Rim sprocket 0.325" 7T (1-5)
21	0000 958 1022	1	Washer c 27 mm (1-5)
22	9460 624 0801	1	E-clip 8x1.3 (1-5)

(1)İMSİ261, (2)İMSİ261-Z, (3)İMSİ261-VW, (4)İMSİ261-VWZ, (5)İMSİ261İC-BE, (6)İMSİ261İC-Q,  
(7)İMSİ261İC-QİZ

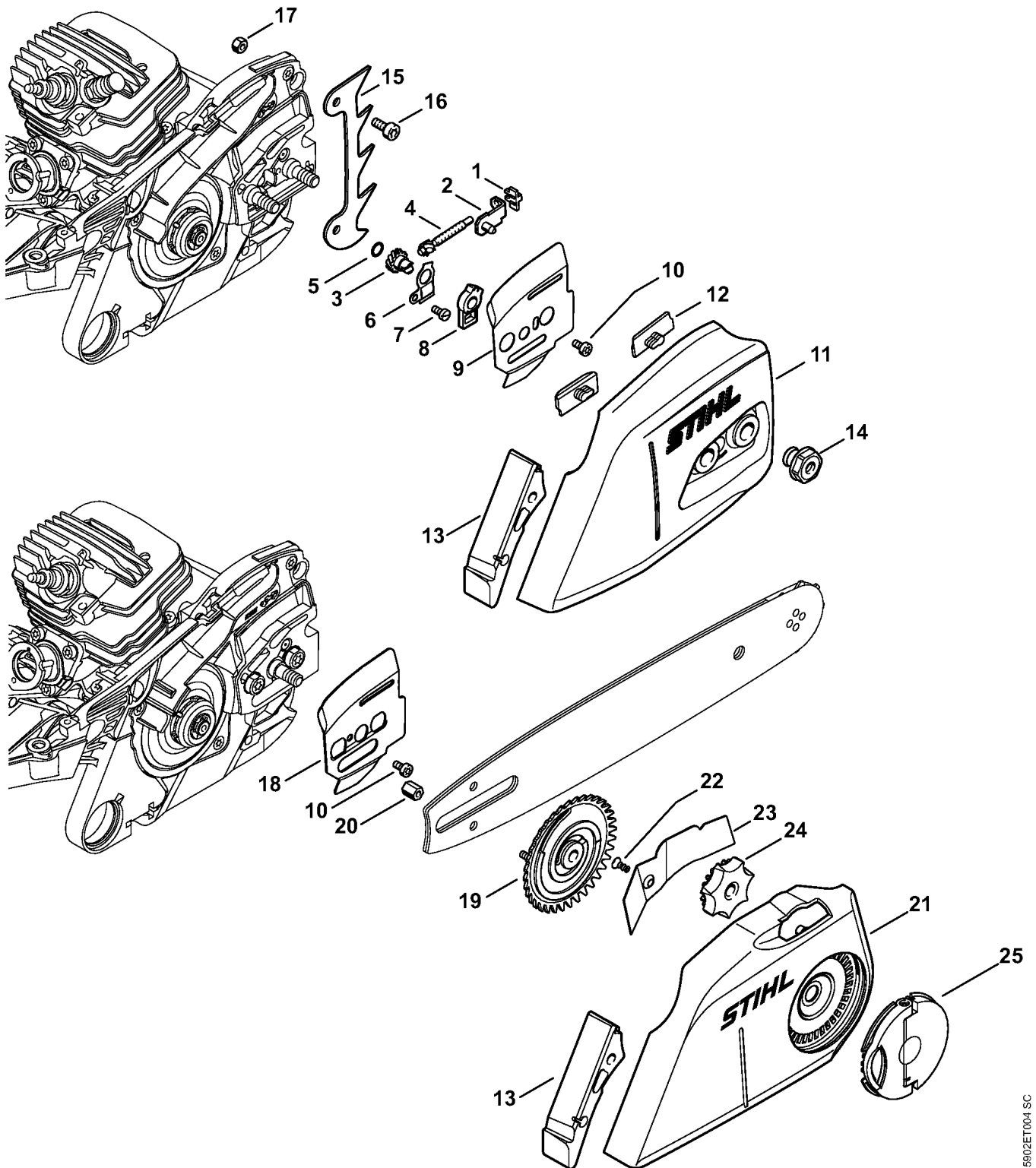


5902ET003 SC

Reference	Item number	Qty	Description
1	1128 160 5000	1	Lever (1-5)
2	1121 162 5010	1	Lever
3	0000 997 0628	1	Spring
4	9460 624 0400	1	E-clip 4
5	9460 624 0400	1	E-clip 4 (1-5)
6	1141 160 5400	1	Brake band (1-5)
7	9022 313 0660	1	Spline screw IS-M4x12
8	1141 160 5500	1	Tension spring (1-5) ‡ 10
9	1141 160 5502	1	Tension spring (6,7) ‡ 10
10	1125 162 8002	1	Hose 20 mm / 13/16"
11	1133 160 5000	1	Brake lever (6,7)
12	1125 162 7905	1	Tension spring (6,7)
13	1141 160 5416	1	Brake band 0.325" 7T (6,7) ‡ 14
14		1	Clutch drum (D) (6,7)
15	0000 958 1022	1	Washer c 27 mm (6,7)
16	9460 624 0801	1	E-clip 8x1.3 (6,7)
17	1141 021 1100	1	Cover (1-4,6,7)
18	1141 021 1102	1	Cover (5)
19	9022 313 0660	3	Spline screw IS-M4x12

(1)İMSİ261, (2)İMSİ261-Z, (3)İMSİ261-VW, (4)İMSİ261-VWZ, (5)İMSİ261İC-BE, (6)İMSİ261İC-Q,  
(7)İMSİ261İC-QİZ

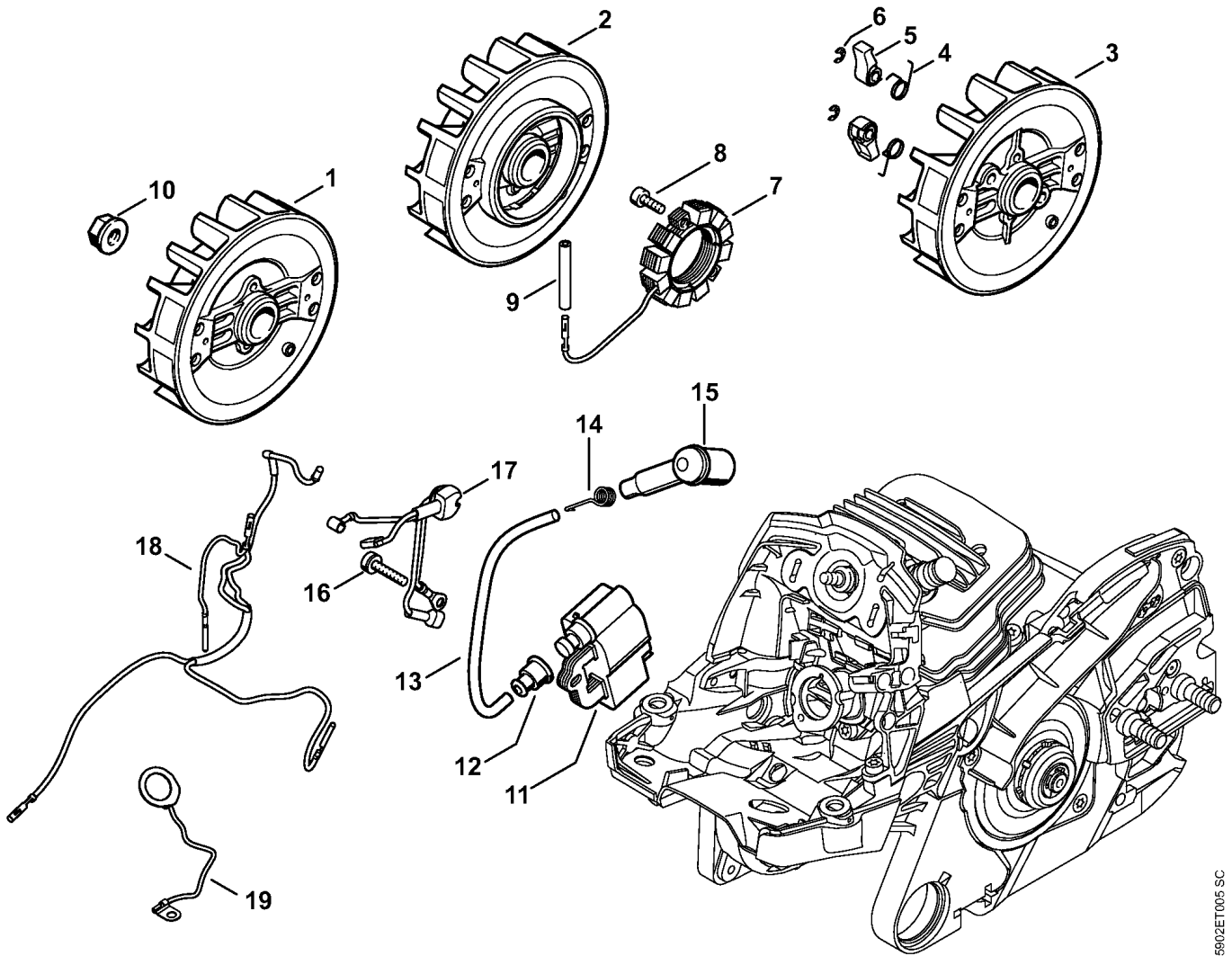




5902ET004 SC

Reference	Item number	Qty	Description
1	1125 664 1400	1	Thrust pad (1-4,6,7)
2	1125 640 1900	1	Tensioner slide (1-4,6,7)
	1125 007 1021	1	Spur gear / chain adjusting screw kit (1-4,6,7) ⊕ 3i-İ5
3		1	Spur gear (D) (1-4,6,7)
4		1	Adjusting screw (D) (1-4,6,7)
5	9646 945 0490	1	O-ring 7x1.5 (1-4,6,7)
6	1122 664 2200	1	Cover plate (1-4,6,7)
7	9041 216 0630	1	Pan head screw M4x8
8	1122 664 4500	1	Support (1-4,6,7)
9	1141 664 1000	1	Inner side plate 0.5 mm (1-4,6,7)
10	9022 313 0632	1	Spline screw IS-M4x8 (1-4,6,7)
11	1141 640 1700	1	Chain sprocket cover (1-4,6,7) ⊕ 12 - 14
12	1121 648 6610	2	Bumper strip
13	1135 656 1500	1	Guard
14	0000 995 0806	2	Collar nut M8 (1-4,6,7)
15	1110 664 0501	1	Bumper spike
16	9022 341 0983	2	Spline screw IS-M5x16
17	9214 320 0700	1	Lock nut M5
18	1141 664 1002	1	Inner side plate (5)
19	1135 660 3000	1	Tensioning gear (5) ⊕ 20
20	1121 664 7301	1	Nut M4 (5)
21	1135 640 1702	1	Chain sprocket cover (5) ⊕ 13, 22 - 24
22	9076 478 2996	1	Pan head self-tapping screw P4x12 (5)
23	1135 648 3800	1	Cover plate (5)
24	1121 648 2200	1	Adjusting wheel (5)
25	1121 660 1000	1	Wing nut (5)

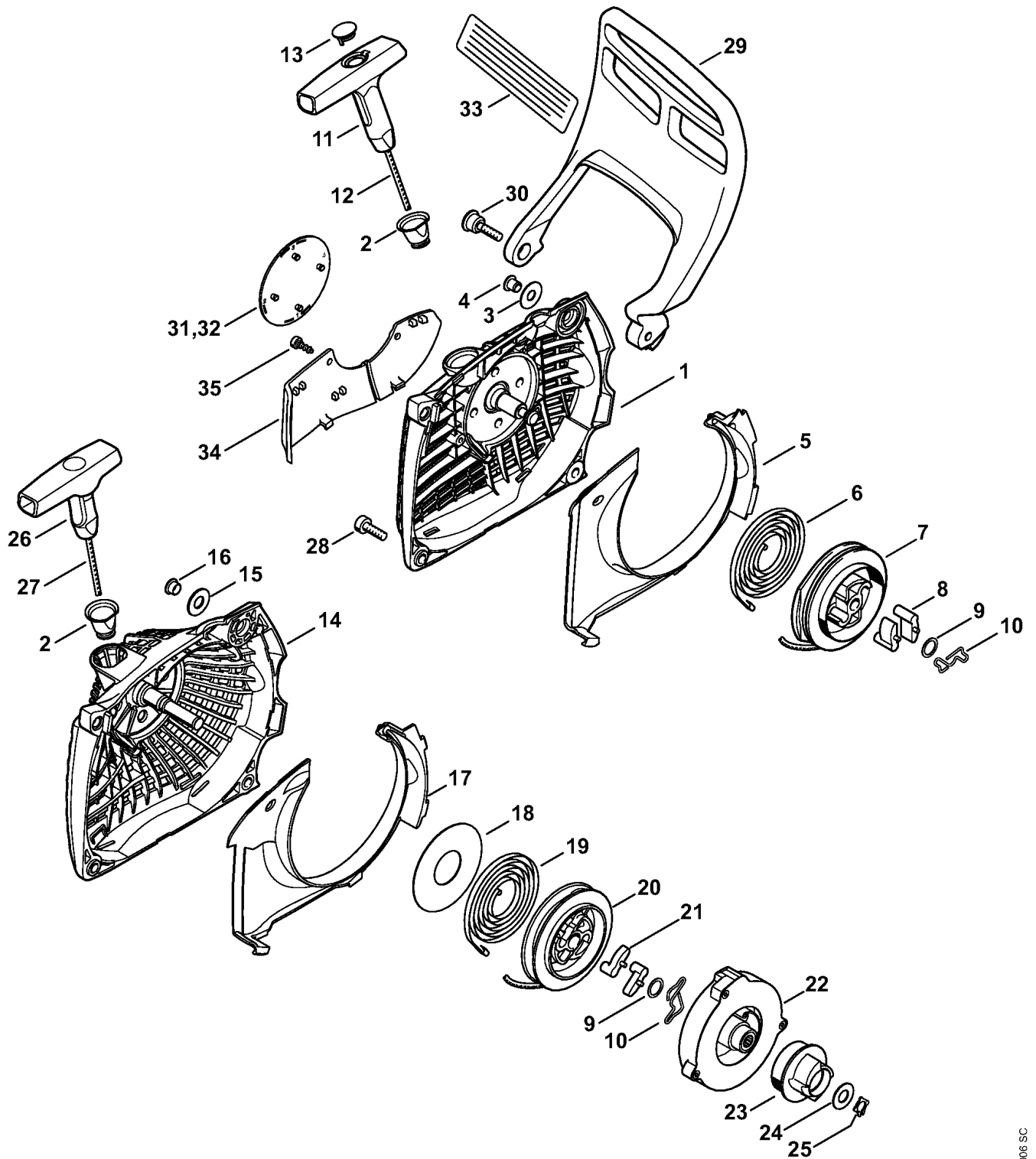
(1)İMSİ261, (2)İMSİ261-Z, (3)İMSİ261-VW, (4)İMSİ261-VWZ, (5)İMSİ261İC-BE, (6)İMSİ261İC-Q,  
(7)İMSİ261İC-QİZ



5902ET005 SC

Reference	Item number	Qty	Description
1	1141 400 1200	1	Flywheel (1,2,6,7) (25.2005)
2	1141 400 1204	1	Flywheel (3,4) (25.2005)
3	1141 400 1202	1	Flywheel (5) (25.2005) ‡ 4 - 6
4	0000 998 1100	2	Torsion spring (5)
5	1139 195 7200	2	Pawl (5)
6	9460 624 0320	2	E-clip 3.2 (5)
7	1138 404 3501	1	Generator (3,4)
8	9022 313 0658	2	Spline screw IS-M4x12 (3,4)
9	1121 442 0402	1	Insulating hose 35 mm / 1.4" (3,4)
10	0000 955 0802	1	Collar nut M8x1
11	1141 400 1302	1	Ignition module ‡ 12 - 15
12	0000 989 1002	1	Grommet
13		1	Ignition lead 158 mm (D)
	0000 405 0600	1	Ignition lead 1 m (A,B)
	0000 930 2251	1	Ignition lead 10 m (A,B)
14	0000 998 0603	1	Torsion spring
15	1106 405 1000	1	Spark plug boot
16	9022 341 0710	2	Spline screw IS-M4x20
17	1141 440 3000	1	Wiring harness
18	1141 440 3002	1	Wiring harness (3,4)
19	1141 440 2200	1	Ground wire (3,4)

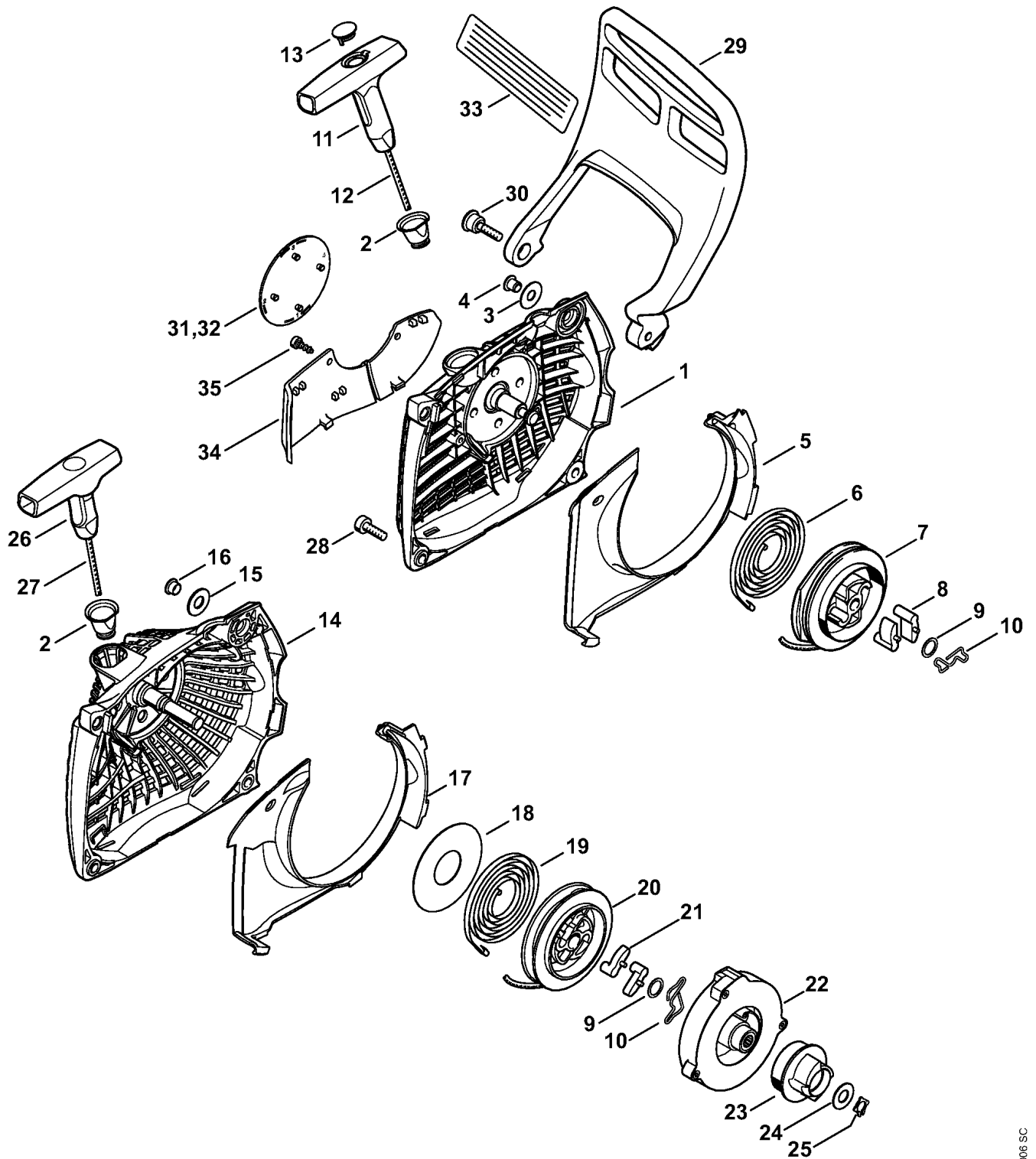
(1)İMSİ261, (2)İMSİ261-Z, (3)İMSİ261-VW, (4)İMSİ261-VWZ, (5)İMSİ261İC-BE, (6)İMSİ261İC-Q,  
(7)İMSİ261İC-QİZ



5902ET006 SC

Reference	Item number	Qty	Description
	1141 080 2100	1	Fan housing with rewind starter (1-4,6,7) ‡ 1İ-İ13
1	1141 080 1800	1	Fan housing (1-4,6,7) ‡ 2İ-İ4
2	1110 084 9102	1	Bushing
3	0000 958 0607	1	Washer (1-4,6,7)
4	1141 084 0700	1	Rivet (1-4,6,7)
5	1141 084 7800	1	Segment (1-4,6,7)
6	1135 190 0600	1	Rewind spring (1-4,6,7)
7	1128 195 0400	1	Rope rotor (1-4,6,7)
8	1125 195 7200	2	Pawl (1-4,6,7)
9	0000 958 0923	1	Washer
10	1128 195 3500	1	Spring
11	0000 190 3401	1	Starter grip ElastoStart c 3.5 mm (1-4,6,7) ‡ 12, 13
12	1113 195 8200	1	Starter rope c 3.5x960 mm (1-4,6,7)
	0000 930 2267	1	Starter rope c 3.5 mm / 28 pieces (A,B) (1-4,6,7)
13	0000 195 7001	1	Cap (1-4,6,7)
	1141 080 2102	1	Fan housing with rewind starter (5) ‡ 2, 9, 10, 14 - 27
14	1141 080 1804	1	Fan housing (5) ‡ 2, 15, 16
15	4117 162 8900	1	Washer (5)
16	1141 988 8600	1	Sleeve (5)
17	1141 084 7802	1	Segment (5)
18	1141 195 9004	1	Washer (5)
19	1123 190 0600	1	Rewind spring (5)
20	1141 195 0400	1	Rope rotor (5)
21	1123 195 7200	2	Pawl (5)
22	1141 190 0700	1	Spring housing (5)
23	1141 195 2000	1	Carrier (5)
24	0000 958 0810	1	Washer (5)
25	9455 621 0575	1	Circlip 8x1 (5)
26	1121 195 3400	1	Starter grip (5)
27	1141 195 8200	1	Starter rope c 3x960 mm (5)
28	9022 341 0980	3	Spline screw IS-M5x16
29	1141 792 9100	1	Hand guard
30	1141 790 6100	1	Screw assy. M5
31	1141 967 1500	1	Model plate MS 261 (1-4)
32	1141 967 1502	1	Model plate MS 261 C (5-7)
33	0000 967 3630	1	Instruction label USA
34	1141 007 1004	1	Cover plate kit (B) ‡ 35

(1)İMSİ261, (2)İMSİ261-Z, (3)İMSİ261-VW, (4)İMSİ261-VWZ, (5)İMSİ261İC-BE, (6)İMSİ261İC-Q, (7)İMSİ261İC-QİZ



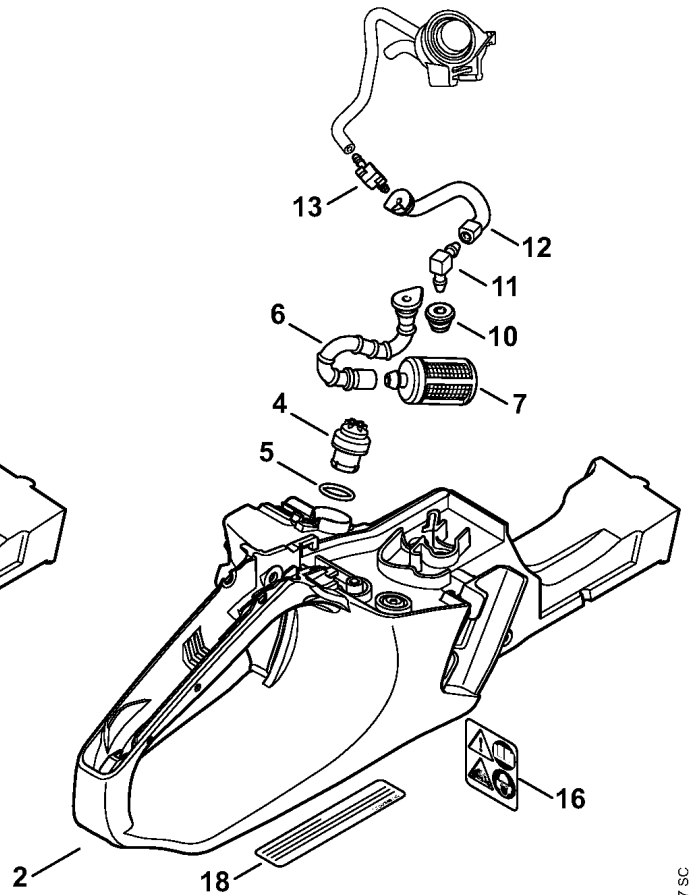
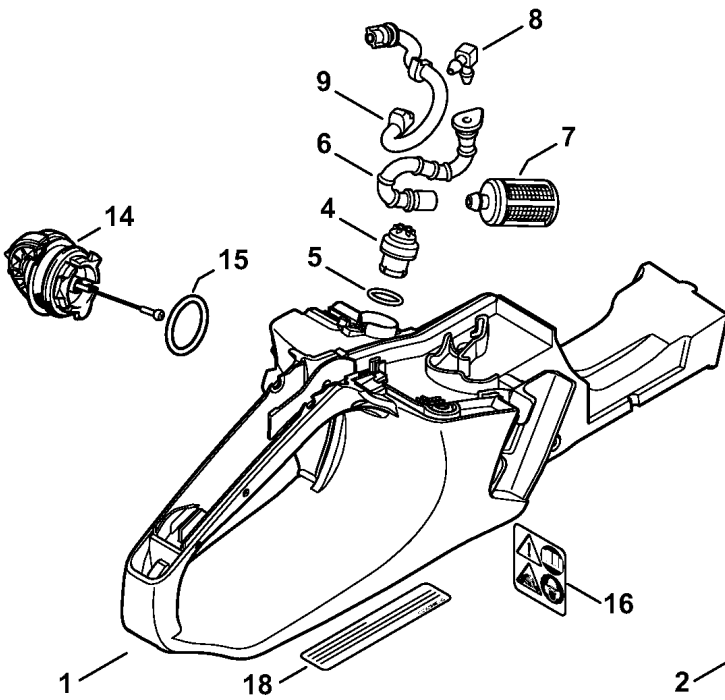
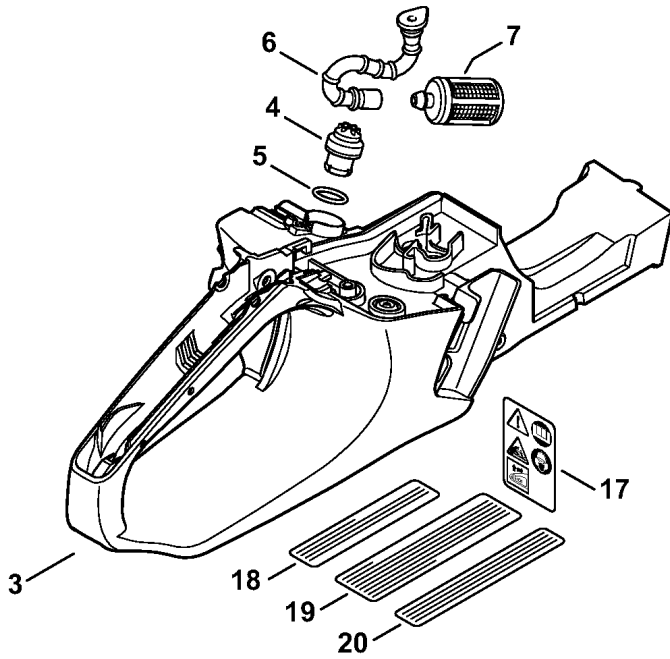
5902ET006 SC

---

Reference	Item number	Qty	Description
35	9075 478 3015	2	Pan head self-tapping screw IS-D4x15 (B)

(1)İMSİ261, (2)İMSİ261-Z, (3)İMSİ261-VW, (4)İMSİ261-VWZ, (5)İMSİ261İC-BE, (6)İMSİ261İC-Q,  
(7)İMSİ261İC-QİZ

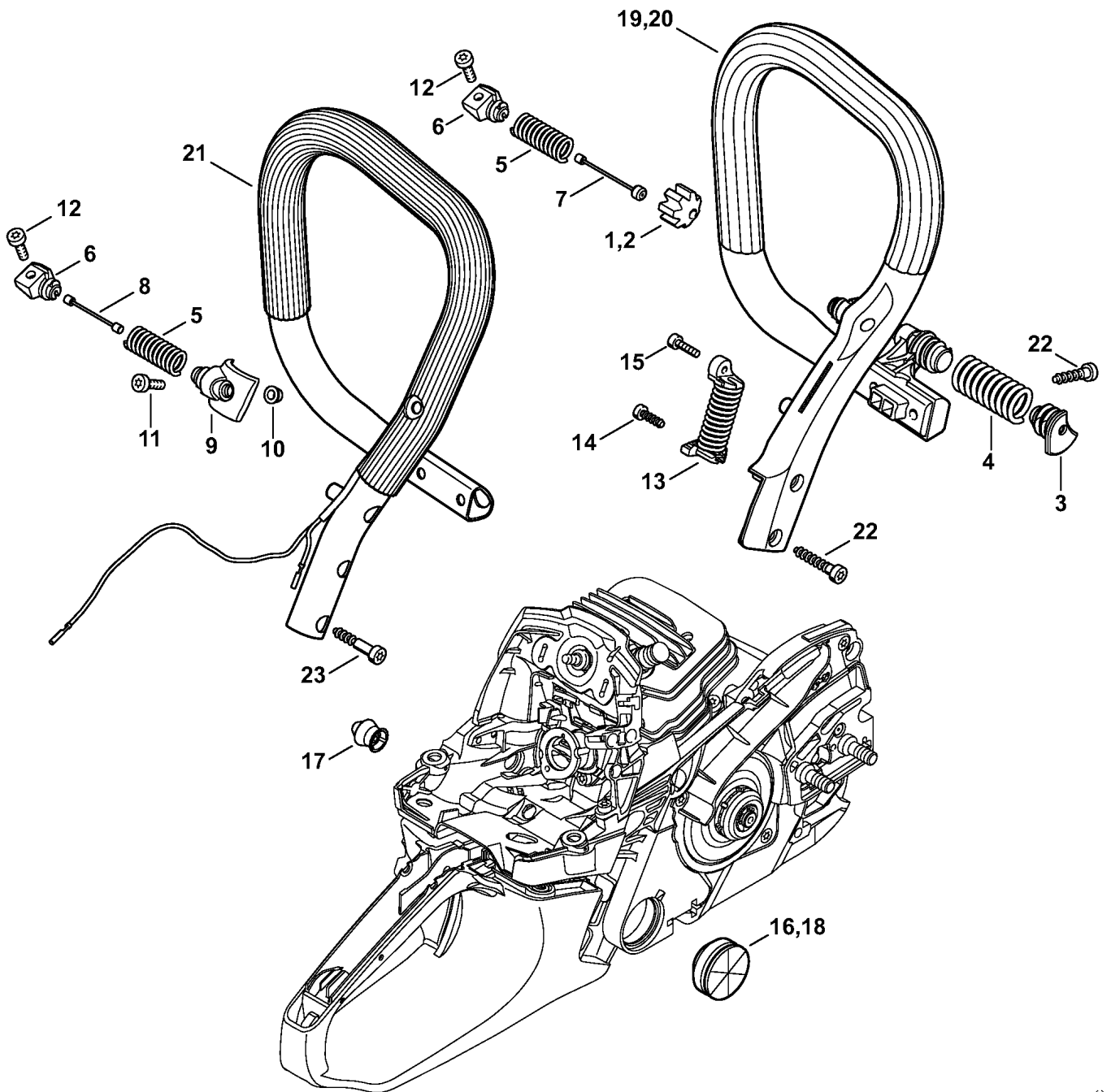




5902ET007 SC

Reference	Item number	Qty	Description
1	1141 350 0820	1	Tank housing (1-4) ✦ 4 - 7, 14 - 16
2	1141 350 0822	1	Tank housing (5) ✦ 4 - 7, 10, 14 - 16
3	1141 350 0830	1	Tank housing (6,7) ✦ 4 - 7, 14, 15, 17
4	0000 350 5800	1	Tank vent ✦ 5
5		1	O-ring 10x2.1 FPM 70 (D)
6	1141 358 7708	1	Hose
7	0000 350 3504	1	Pickup body
8	4224 122 3900	1	Elbow connector
9	1141 358 7700	1	Hose
10	1141 989 0600	1	Grommet (5)
11	4224 122 3900	1	Elbow connector (5)
12	1141 358 7702	1	Hose (5)
13	1143 353 2601	1	Elbow connector (5)
14	0000 350 0504	1	Filler cap ✦ 15
15	9645 948 7734	1	OÜring 25x3.5
16	0000 967 3632	1	Warning pictogram MS (1-5)
17	0000 967 4011	1	Warning pictogram QS (6,7)
18	0000 967 3500	1	Instruction label USA
19	0000 967 4012	1	Instruction label (7) USA
20	0000 967 4019	1	Instruction label (6,7) CDN

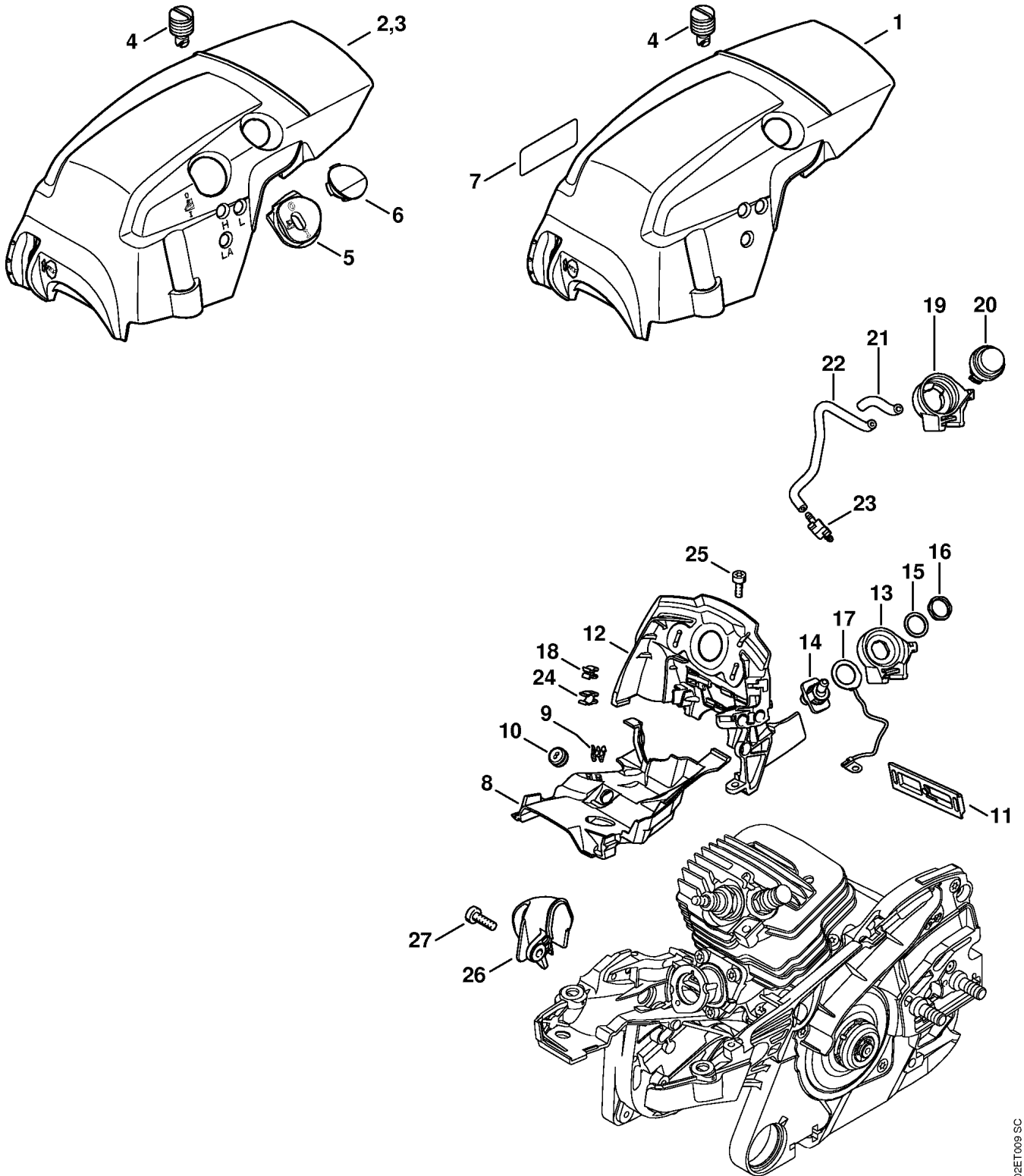
(1)İMSİ261, (2)İMSİ261-Z, (3)İMSİ261-VW, (4)İMSİ261-VWZ, (5)İMSİ261İC-BE, (6)İMSİ261İC-Q,  
(7)İMSİ261İC-QİZ



5902ET008.SC

Reference	Item number	Qty	Description
1	1141 791 2802	1	Annular buffer (1,3,5,6)
2	1135 791 2800	1	Annular buffer (2,4,7)
3	1141 792 2900	1	Bearing plug
4	1141 791 3112	1	Spring
5	1141 791 3102	1	Spring
6	1141 792 2902	1	Bearing plug
7	1135 790 8100	1	Retainer (1,2,5-7)
8	1137 790 8100	1	Retainer (3,4)
9	1141 790 3800	1	Bearing plug (3,4)
			‡ 10
10	0000 963 0808	1	Bushing (3,4)
11	9022 341 0983	1	Spline screw IS-M5x16 (3,4)
12	9022 341 0983	1	Spline screw IS-M5x16
13	1141 790 8304	1	AV-Spring
14	9074 477 4130	1	Pan head self-tapping screw IS-P5x16
15	9022 313 0680	1	Spline screw IS-M4x16
16	1138 791 5903	1	Stop buffer (1,3,5,6)
17	1141 791 5902	1	Stop buffer
18	1140 791 5901	1	Stop buffer (2,4,7)
19	1141 791 1700	1	Handlebar (1,2,6,7)
20	1141 791 1702	1	Handlebar (5)
21	1141 790 1700	1	Handlebar (3,4)
22	9074 478 4675	4	Pan head self-tapping screw IS-P6x32.5 (1,2,5-7)
23	9074 478 4655	4	Pan head self-tapping screw IS-P6x30 (3,4)

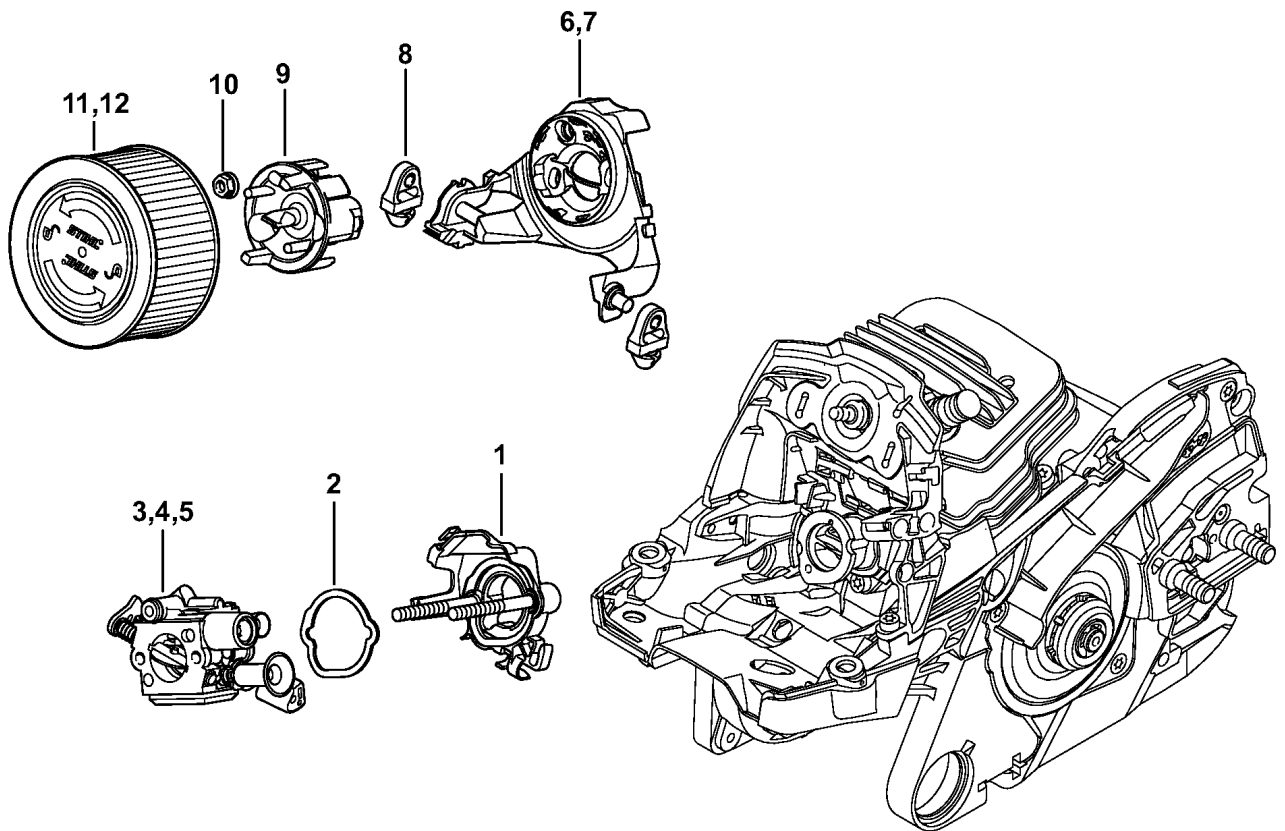
(1)İMSİ261, (2)İMSİ261-Z, (3)İMSİ261-VW, (4)İMSİ261-VWZ, (5)İMSİ261İC-BE, (6)İMSİ261İC-Q,  
(7)İMSİ261İC-QİZ



5902ET009 SC

Reference	Item number	Qty	Description
1	1141 080 1600	1	Shroud (1,2,6,7) † 4
2	1141 080 1614	1	Shroud (3,4) † 4, 5
3	1141 080 1612	1	Shroud (5) † 4, 6
4	1140 140 9200	3	Twist lock
5	1141 432 9300	1	Grommet (3,4)
6	1141 084 7100	1	Cap (5)
7	0000 967 3749	1	Warning pictogram Filler cap (2,4,7) USA
8	1141 087 3002	1	Air guide shroud
9	1141 701 3302	1	Cable clamp (3,4)
10	0000 989 0808	1	Grommet (3,4)
11	1141 084 4100	1	Shutter
12	1141 087 3000	1	Air guide shroud
13	1141 435 6000	1	Support (3,4)
14	1138 430 0502	1	Switch (3,4)
15	0000 958 1511	1	Washer (3,4)
16	1128 432 2200	1	Hexagon nut (3,4)
17	1141 440 2200	1	Ground wire (3,4)
18	1141 701 3300	1	Cable clamp (3,4)
19	1141 352 8200	1	Clamp (5)
20	0000 350 6201	1	Fuel pump (5)
21		1	Hose 2.2x5.4x53 mm (D) (5)
22		1	Hose 2.2x5.4x155 mm (D) (5)
	0000 937 5006	1	Hose 2.2x5.4 mm x 11m (A,B) (5)
23	1143 353 2601	1	Elbow connector (5)
24	1141 122 2500	1	Hose clip (5)
25	9022 313 0660	1	Spline screw IS-M4x12 (3,4)
26	1141 141 7500	1	Pre-separator
27	9022 341 0980	1	Spline screw IS-M5x16

(1)İMSİ261, (2)İMSİ261-Z, (3)İMSİ261-VW, (4)İMSİ261-VWZ, (5)İMSİ261İC-BE, (6)İMSİ261İC-Q,  
(7)İMSİ261İC-QİZ



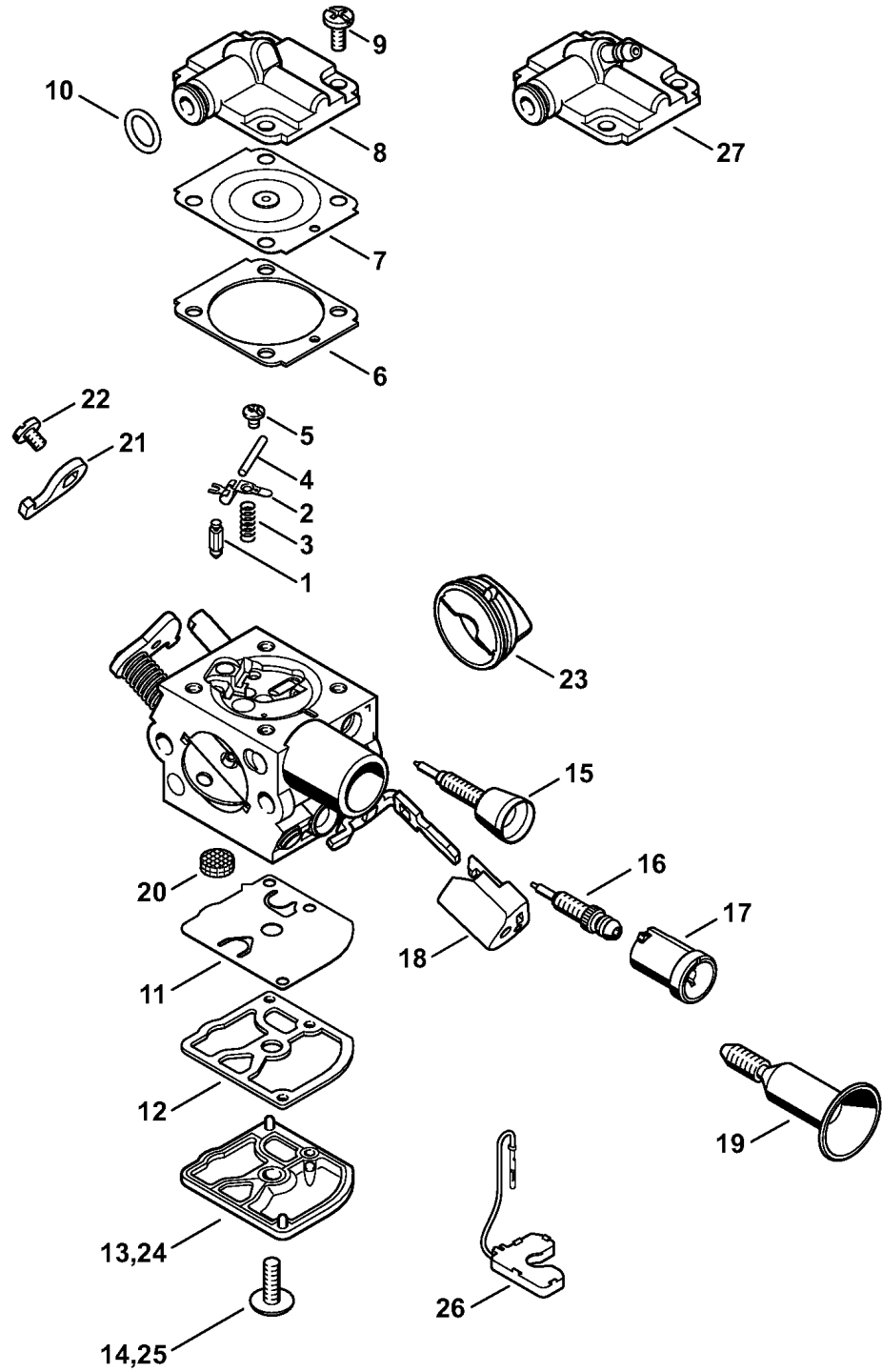
5902ET010 SC

---

Reference	Item number	Qty	Description
1	1141 120 0900	1	Carburetor bracket
2	1141 121 8600	1	Washer
3	1141 120 0600	1	Carburetor C1Q-S178B (1,2,6,7)
4	1141 120 0604	1	Carburetor C1Q-S180B (3,4)
5	1141 120 0602	1	Carburetor C1Q-S179B (5)
6	1141 141 0900	1	Filter base (1,2,5-7)
7	1141 141 0902	1	Filter base (3,4)
8	1141 122 9902	2	Buffer
9	1141 121 6900	1	Baffle
10	9216 261 0700	2	Hexagon nut M5
11	1141 120 1604	1	Air filter HD2
12	1141 120 1602	1	Air filter PA (B) (3,4)

(1)İMSİ261, (2)İMSİ261-Z, (3)İMSİ261-VW, (4)İMSİ261-VWZ, (5)İMSİ261İC-BE, (6)İMSİ261İC-Q,  
(7)İMSİ261İC-QİZ

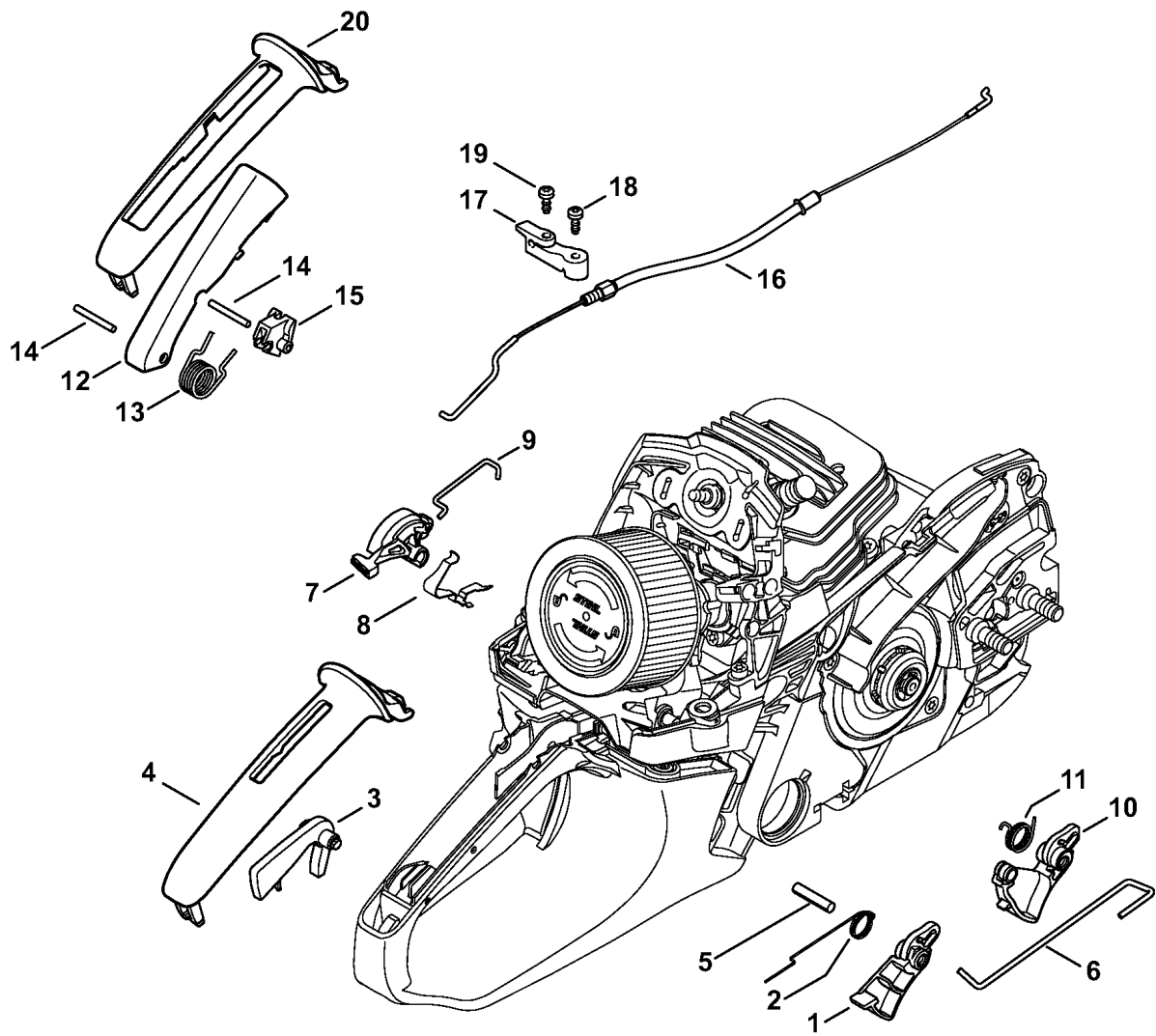




5902ET013.SC

Reference	Item number	Qty	Description
	1141 120 0600	1	Carburetor C1Q-S178B (1,2,6,7) ‡ 1 - 23
	1141 120 0602	1	Carburetor C1Q-S179B (5) ‡ 1 - 7, 9 - 23, 27
	1141 120 0604	1	Carburetor C1Q-S180B (3,4) ‡ 1 - 12, 15 - 25
1	4116 121 5100	1	Inlet needle
2	1125 121 5000	1	Inlet control lever
3	1128 122 3000	1	Spring
4	1120 121 9200	1	Spindle
5	4241 122 6600	1	Collar screw
6	1141 129 0900	1	Gasket
7	1141 121 4700	1	Metering diaphragm
8	1141 121 0800	1	End cover (1-4,6,7)
9	1120 122 6601	4	Collar screw
10	9646 945 0490	1	O-ring 7x1.5
11	1129 121 4800	1	Pump diaphragm
12	1123 129 0905	1	Gasket
13	1139 121 0800	1	End cover (1,2,5-7)
14	1120 122 7800	1	Oval head screw (1,2,5-7)
15	1141 122 6800	1	Low speed adjustment screw
16	1141 122 6700	1	High speed adjustment screw
17	1141 121 2702	1	Cap
18	1141 121 2700	1	Cap
19	1141 122 6200	1	Idle speed adjustment screw
20	1123 121 7800	1	Strainer
21	1141 121 6600	1	Lever
22	9079 319 0280	1	Flat head screw M3x3.5
23	1141 121 9402	1	Ring
24	1141 120 2600	1	Pump cover (3,4)
25	1141 122 7100	1	Screw (3,4)
26	1141 430 0600	1	Switch (3,4)
27	1141 121 0802	1	End cover (5)
	1141 007 1006	1	Set of carburetor parts (B) ‡ 6, 7, 11, 12

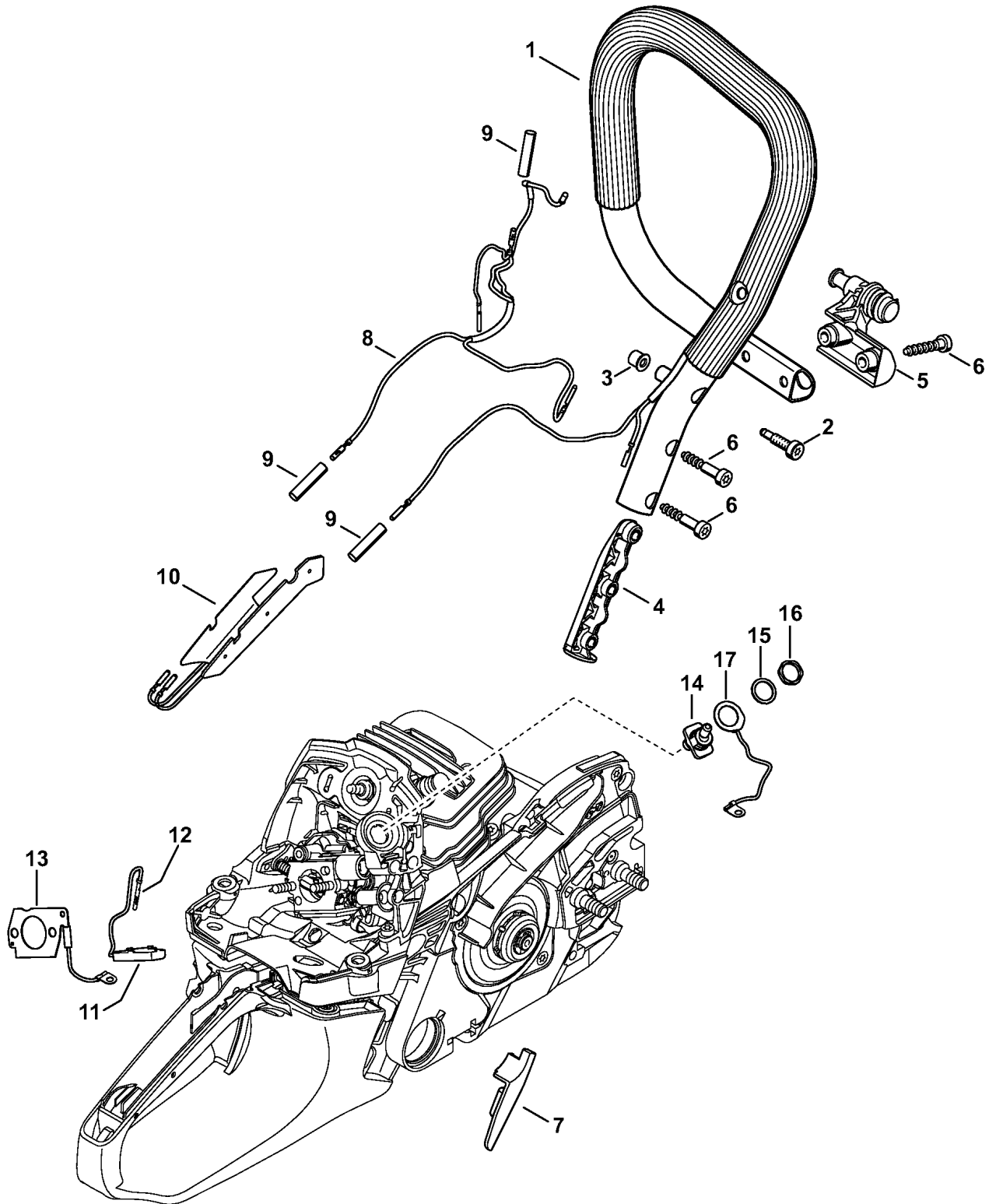
(1)İMSİ261, (2)İMSİ261-Z, (3)İMSİ261-VW, (4)İMSİ261-VWZ, (5)İMSİ261İC-BE, (6)İMSİ261İC-Q,  
(7)İMSİ261İC-QİZ



5902ET011 SC

Reference	Item number	Qty	Description
1	1141 182 1000	1	Throttle trigger (1-5)
2	1138 182 4500	1	Torsion spring (1-5)
3	1141 182 0800	1	Trigger interlock (1-5)
4	1141 791 0600	1	Handle molding (1-5)
5	9371 470 2640	1	Cylindrical pin 5x24
6	1141 182 1500	1	Throttle rod
7	1141 182 0900	1	Switch shaft
8	1141 442 1600	1	Contact spring
9	1141 185 1900	1	Choke rod
10	1141 180 1500	1	Throttle trigger (6,7)
11	1141 182 4500	1	Torsion spring (6,7)
12	1125 180 1703	1	Trigger interlock (6,7)
			† 13
13	1125 182 4502	1	Torsion spring (6,7)
14	9517 003 0650	2	Cylindrical roller 3x25.8 (6,7)
15	1141 180 1400	1	Lever (6,7)
16	1141 160 2500	1	Brake cable (6,7)
			† 17, 18
17	1141 182 1600	1	Support (6,7)
18	9074 478 2970	1	Pan head self-tapping screw IS-P4x10 (6,7)
19	9074 478 2970	1	Pan head self-tapping screw IS-P4x10 (6,7)
20	1141 791 0602	1	Handle molding (6,7)

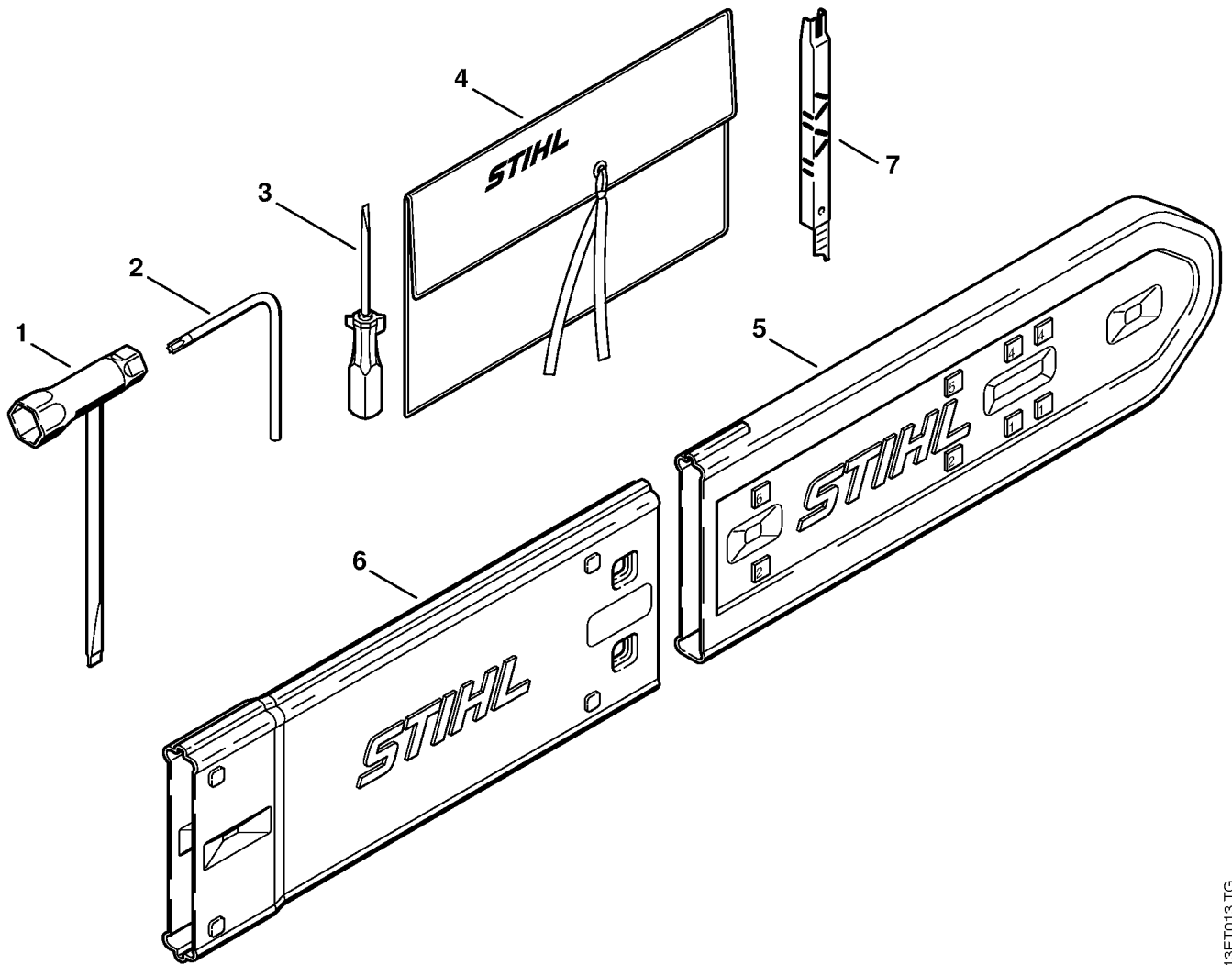
(1)İMSİ261, (2)İMSİ261-Z, (3)İMSİ261-VW, (4)İMSİ261-VWZ, (5)İMSİ261İC-BE, (6)İMSİ261İC-Q,  
(7)İMSİ261İC-QİZ



5902ET012.SC

Reference	Item number	Qty	Description
1	1141 790 1700	1	Handlebar (3,4) ‡ 2 - 4
2	1141 791 6100	1	Collar screw (3,4)
3	0000 791 7904	1	Bushing (3,4)
4	1141 791 5100	1	Stiffener (3,4)
5	1141 791 1900	1	Handlebar support (3,4)
6	9074 478 4655	4	Pan head self-tapping screw IS-P6x30 (3,4)
7	1141 791 7500	1	Cover (3,4)
8	1141 440 3002	1	Wiring harness (3,4)
9	1121 442 0402	3	Insulating hose 35 mm / 1.4" (3,4)
10	1140 430 6003	1	Heating element (3,4)
11	1141 430 0600	1	Switch (3,4) ‡ 12
12	1118 431 6600	1	Terminal pin (C) (3,4)
13	1141 434 5100	1	Heating element (3,4)
14	1138 430 0502	1	Switch (3,4)
15	0000 958 1511	1	Washer (3,4)
16	1128 432 2200	1	Hexagon nut (3,4)
17	1141 440 2200	1	Ground wire (3,4)

(1)İMSİ261, (2)İMSİ261-Z, (3)İMSİ261-VW, (4)İMSİ261-VWZ, (5)İMSİ261İC-BE, (6)İMSİ261İC-Q,  
(7)İMSİ261İC-QİZ



213ET013 TG

---

Reference	Item number	Qty	Description
	1121 890 1400	1	Tool kit ✦ 1Ī-Ī4
1	1129 890 3401	1	Combination wrench
2	0812 370 1000	1	Screwdriver T27x120x70
3	0000 890 2300	1	Screwdriver
4	0000 891 0801	1	Tool roll
5	0000 792 9129	1	Chain scabbard
6	0000 792 9132	1	Chain scabbard extension upĪtoĪ63Īcm (B)
7	1110 893 4000	1	Filing gauge (B)

(1)ĪMSĪ261, (2)ĪMSĪ261-Z, (3)ĪMSĪ261-VW, (4)ĪMSĪ261-VWZ, (5)ĪMSĪ261ĪC-BE, (6)ĪMSĪ261ĪC-Q,  
(7)ĪMSĪ261ĪC-QĪZ